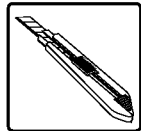
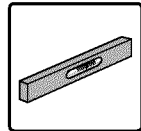
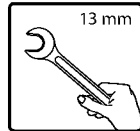
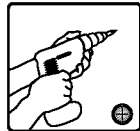
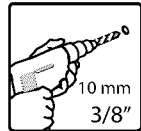


Assembly Instructions

Vitoria™ 5000 - Carport

Approx. Dim.

499 L x 290 W x 240 H cm / 196.4" L x 114.1" W x 94.5" H



After Sale Service

Email: customer.service@palram.com

USA 877-627-8476
Canada 1 800-866-5749

England 01302-380775
Germany 0180-522-8778

France 0169-791-094
International +972 4-848-6942

www.palramapplications.com

IMPORTANT

Please read these instructions carefully before you start to assemble this greenhouse.
Please carry out the steps in the order set out in these instructions.
Keep these instructions in a safe place for future reference.

» Care and Safety advice

- Please follow the instructions as listed in this manual.
- Sort the parts and check against the list of contents.
- For safety purposes we strongly recommend that the product will be assembled by at least two people.
- Some parts have metal edges. Please be careful when handling components. Always wear gloves, shoes and safety goggles during assembly.
- Do not attempt to assemble the carport in windy or wet conditions.
- Dispose of all plastic bags safely – keep them out of reach of small children.
- Keep children away from the assembly area.
- Do not attempt to assemble the carport if you are tired, have taken drugs, medications or alcohol, or if you are prone to dizzy spells.
- When using a stepladder or power tools, ensure that you are follow the manufacturer's safety advice.
- Do not climb or stand on the roof.
- Heavy articles should not be leaned against the poles.
- Please consult your local authorities if any permits are required to erect carport.
- Keep roof and gutters clean of snow, dirt & leaves.
- Heavy amounts of snow on roof can damage the carport making it unsafe to stand below or nearby.
- This product was designed and produced to be a carport only.

» Some versions of this carport are painted.

If color was scratched during assembly it can be fixed with the following tints:
Gray – RAL 7012

» Cleaning instructions

When your carport needs cleaning, use a mild detergent solution and rinse with cold clean water.
Do not use acetone, abrasive cleaners, or others special detergents to clean the panel.

» Before Starting Assembly

- This carport must be assembled on a solid base (such as concrete or asphalt).
- Choose your site carefully before beginning assembly. Site surface (mainly below poles) needs to be level.
- During assembly use a soft platform below the parts to avoid scratches and damages.

» T001



» During Assembly



When encountering the information icon, please refer to the relevant assembly step for additional comments and assistance.

Step 3:

- It is recommended to place a sheet / Carton below the parts to avoid scratches and peeling of paint.
- Profile should be fixed in front of the second set of holes from the edge.

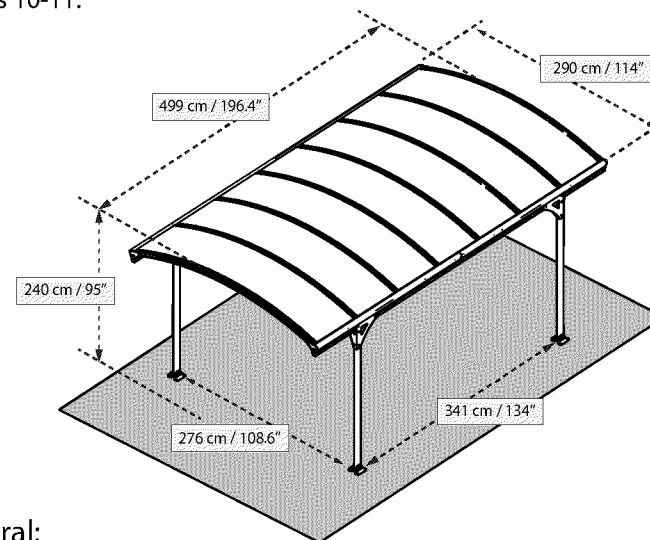
Step 5: Please connect two parts when one person lifts the construction at an angle as illustrated in drawing 5a.

Step 9: Central channel should remain open. Please place the panel aside the central channel of the arched profile, as illustrated in the top circle.

Step 10: Do not tighten the screws fully, until both sides panels in place.

Step 11: Profile stretching occurs only when all screws closed fully, at the same time; on both sides

Step 12: Repeat and follow the same action for all profiles left as explained in stages 10-11.



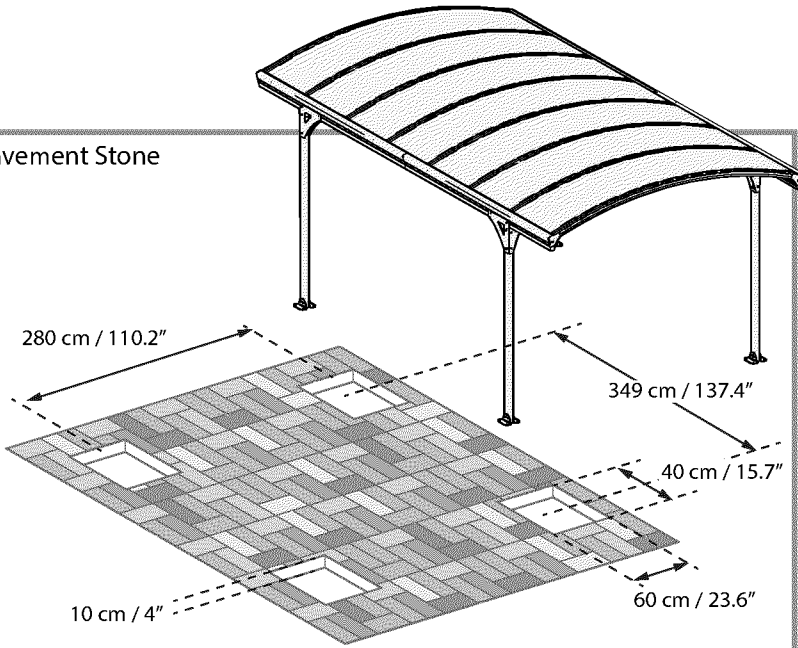
» General:

- Tighten all screws at the end of assembly.

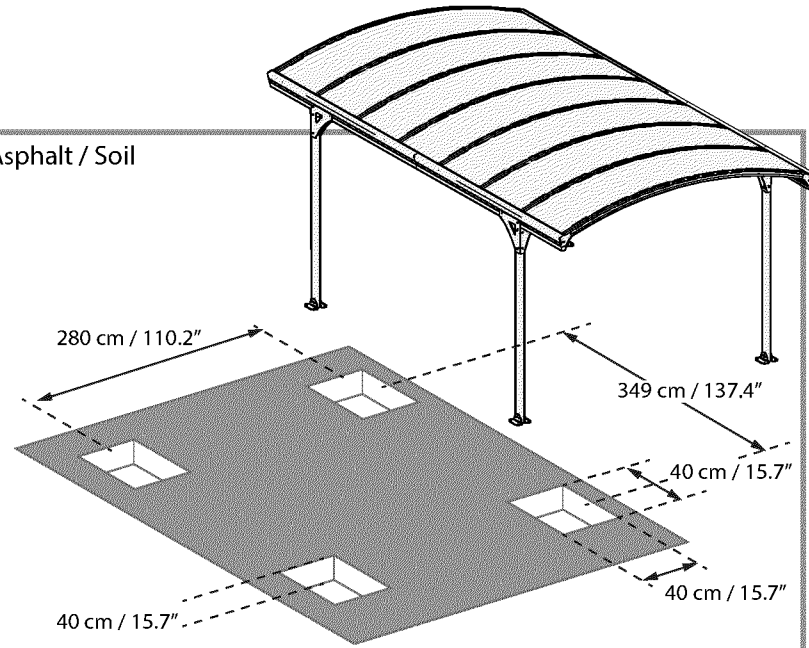


This carport should be assembled on a solid base (such as concrete). Without solid base, pre-foundation, that will include concrete and metal, is needed as in this drawing

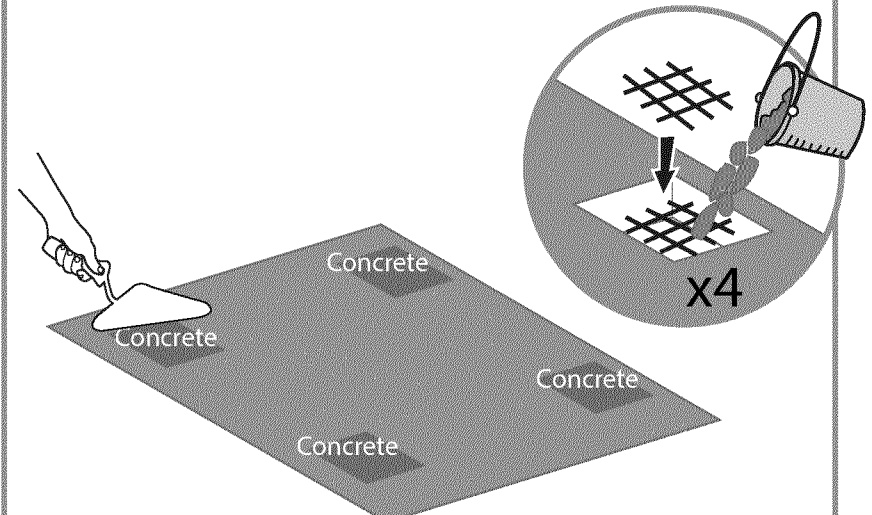
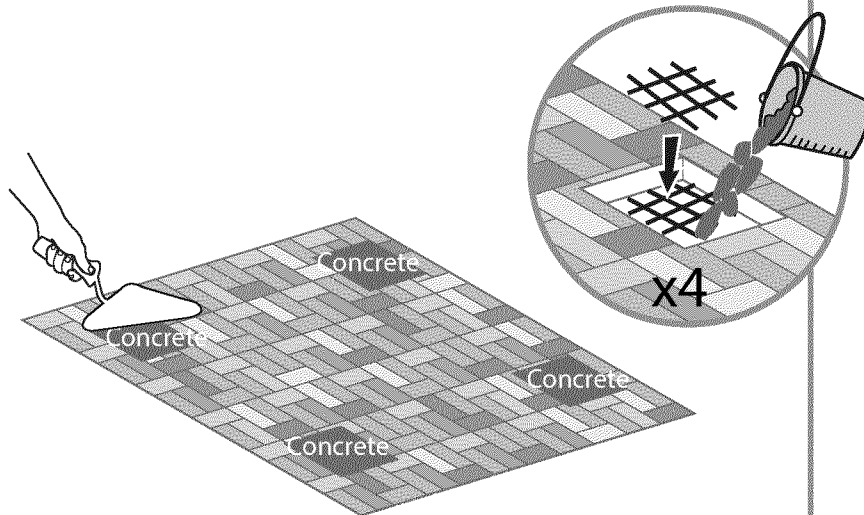
Pavement Stone



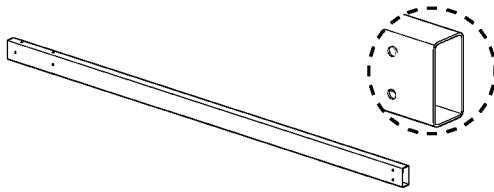
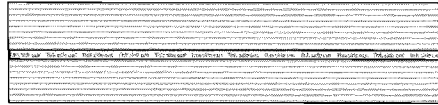
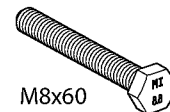
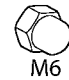
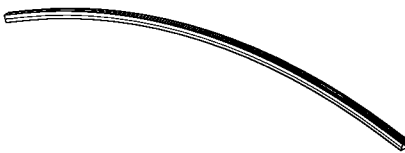
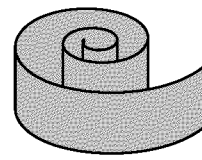
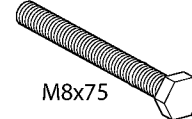

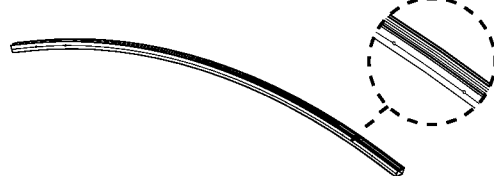
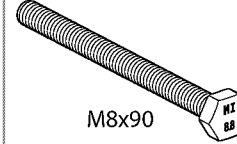

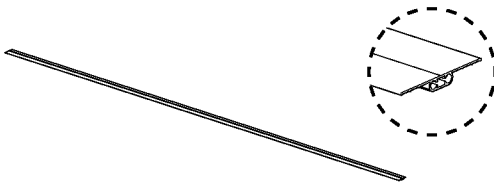
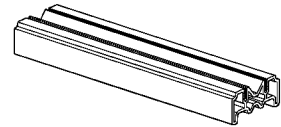
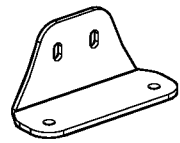
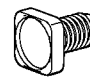
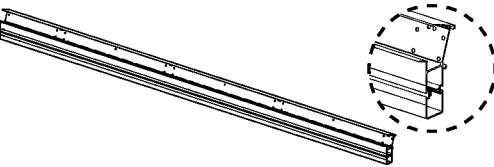
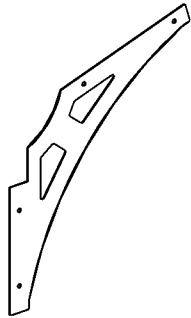
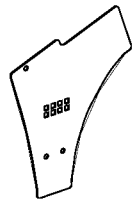
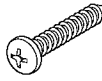
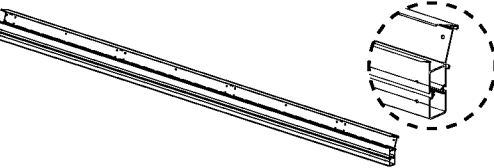
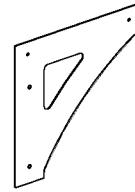
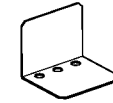

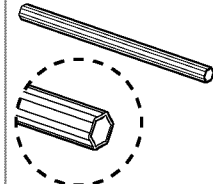
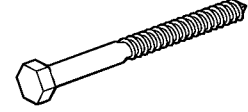
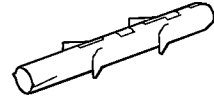

Asphalt / Soil



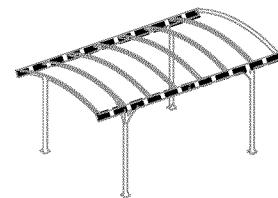
OR

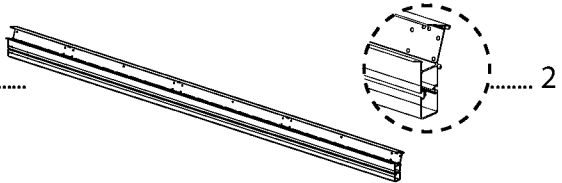


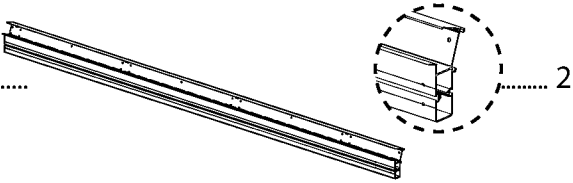
Contents


Item		Qty.	Item		Qty.	Item		Qty.	Item		Qty.
7568		4	7577		7	4042	 M8x60	16 (+1)	413	 M6	16 (+2)
7569		6	7578		2	7567	 M8x75	8 (+1)	414	 M8	32 (+3)
7570		2				7579	 M8x90	8 (+1)	433		80 (+5)
7571		8	7506		2	212		8	411		32 (+3)
7572		2	7574		4	7576		4	450		96 (+9)
7573		2	7575		8	7580		14	447		28 (+2)
						T001		1	4000		16 (+1)
									4010		16 (+1)
									5000		48


1

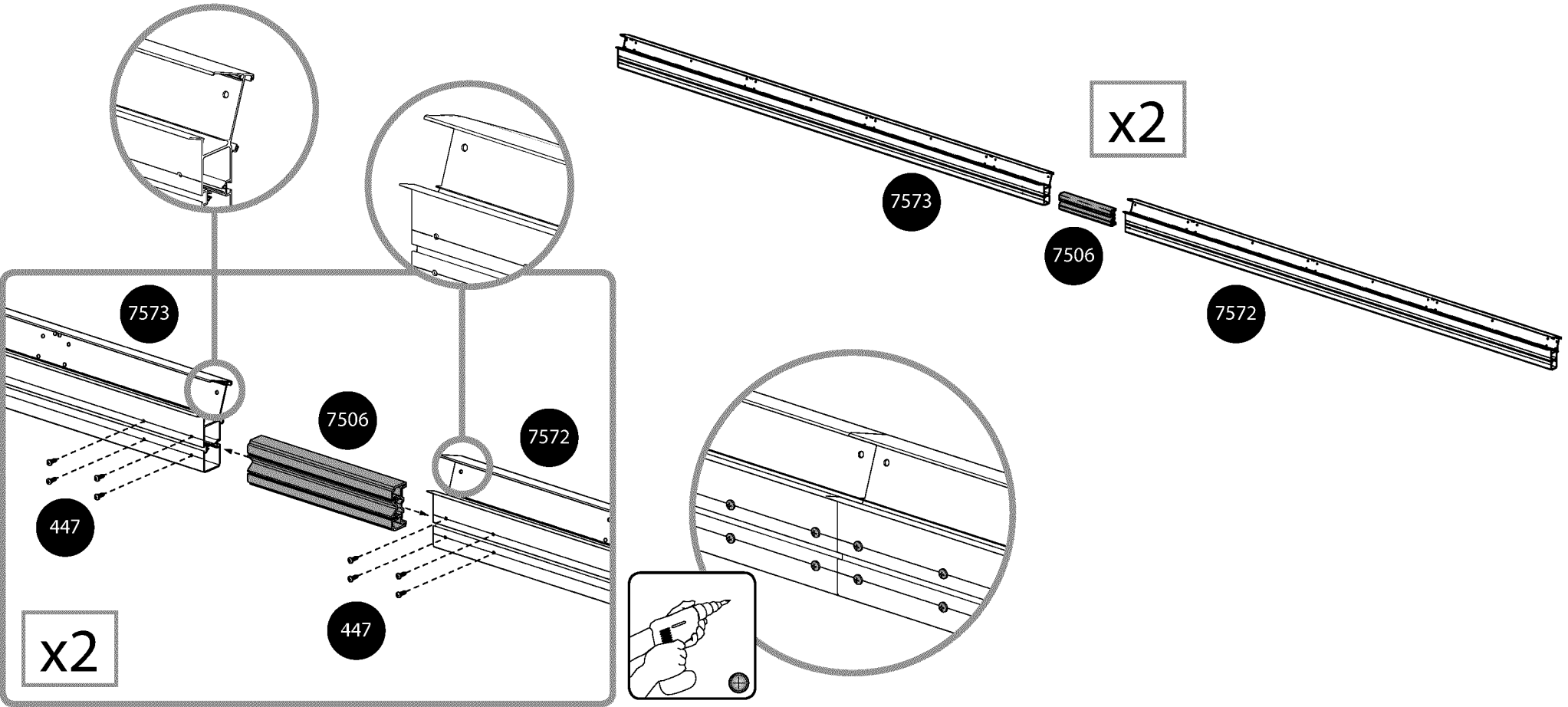


7572  2

7573  2

7506  2

447  16



x2

7573

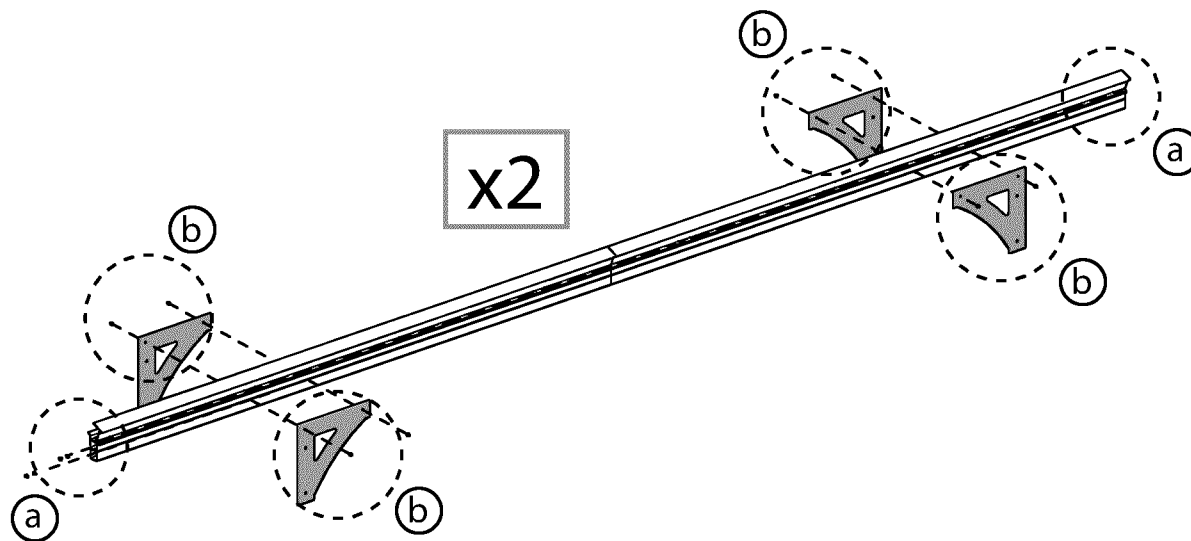
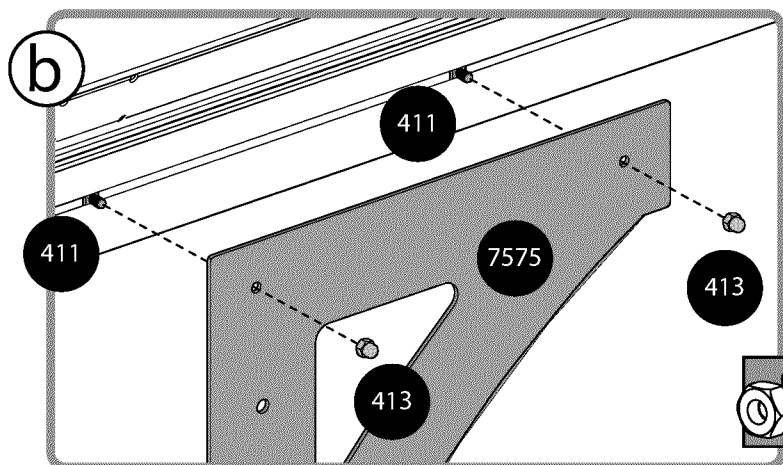
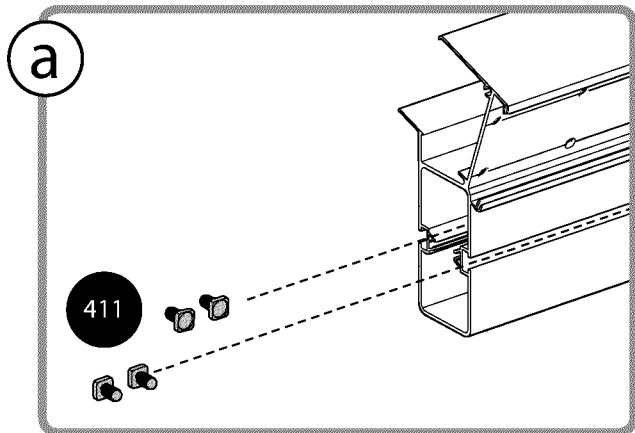
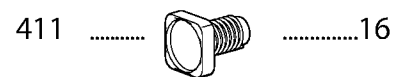
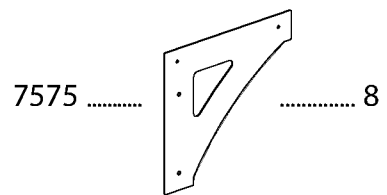
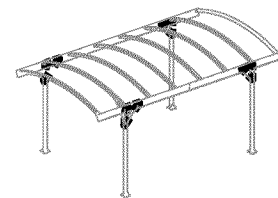
7506

7572

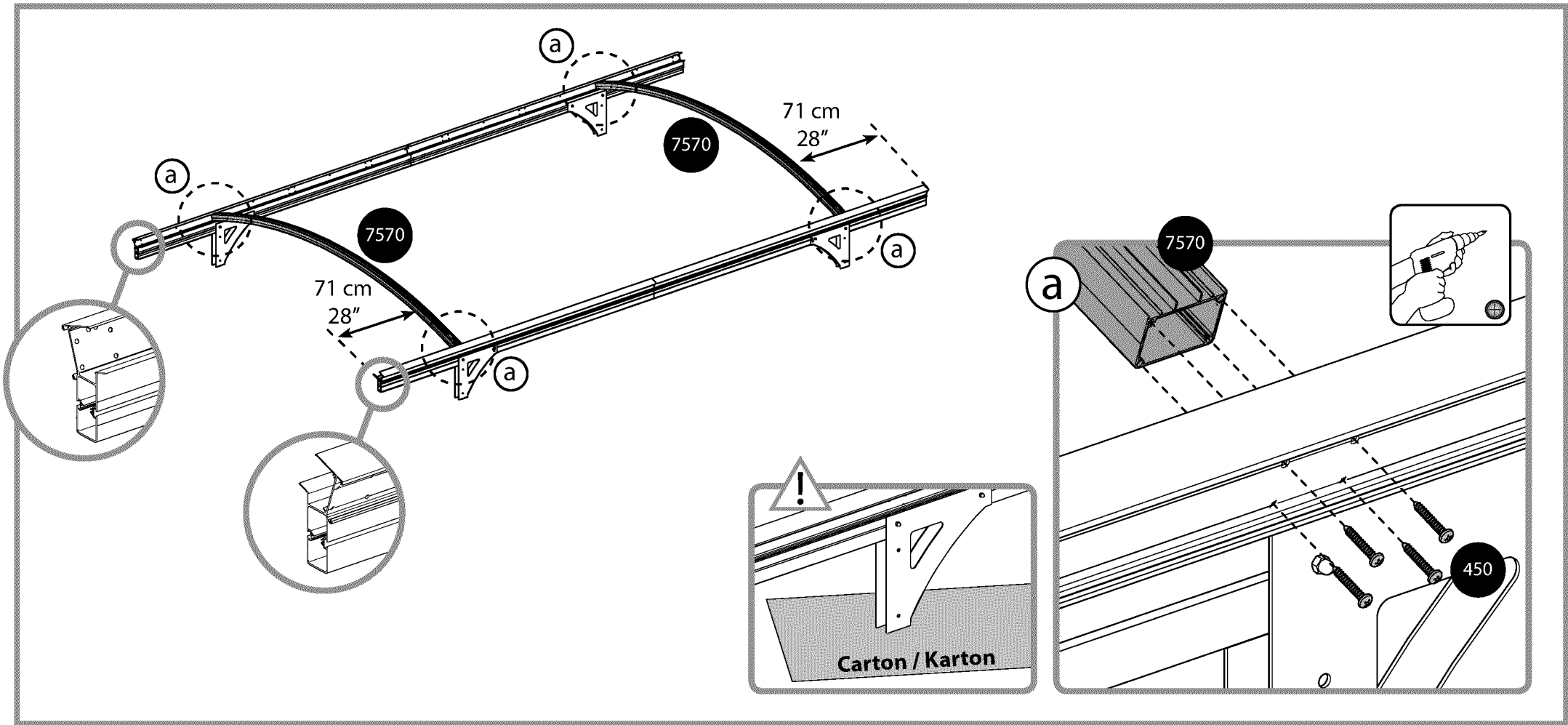
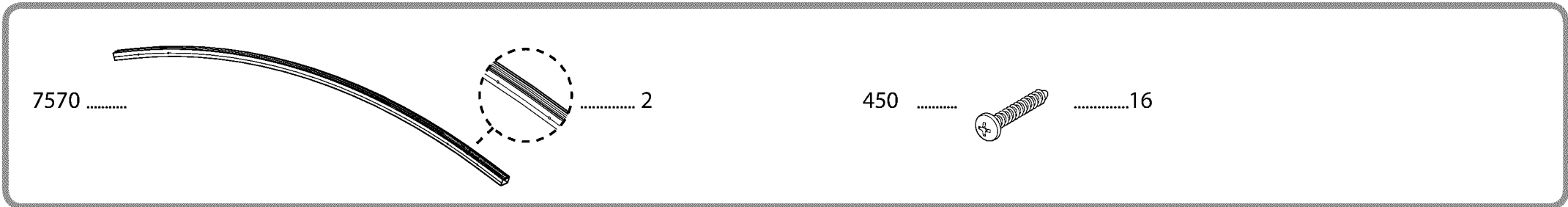
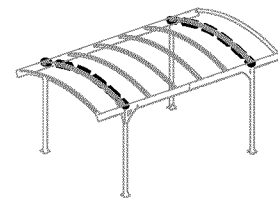
447

447

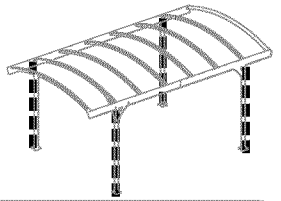
x2



3 **i**



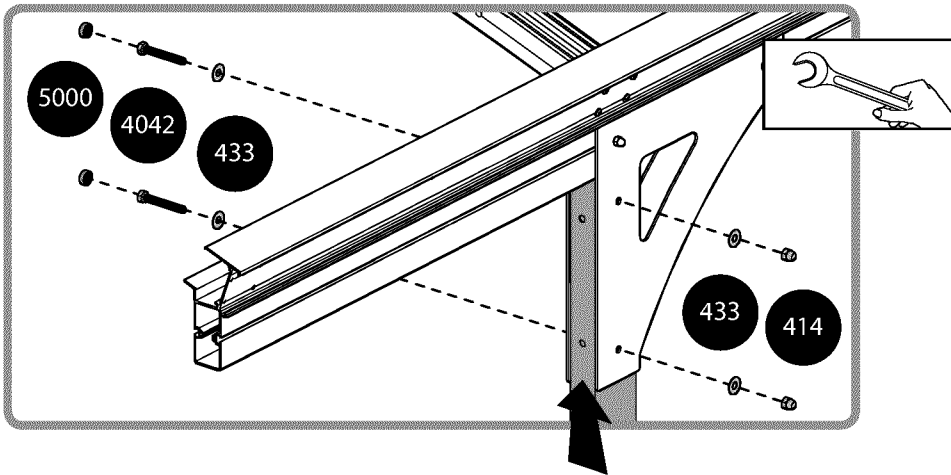
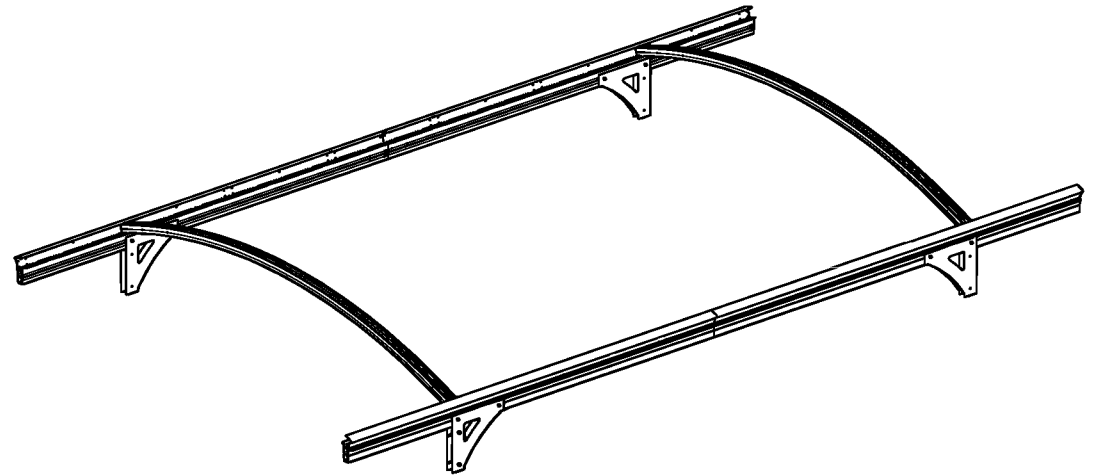
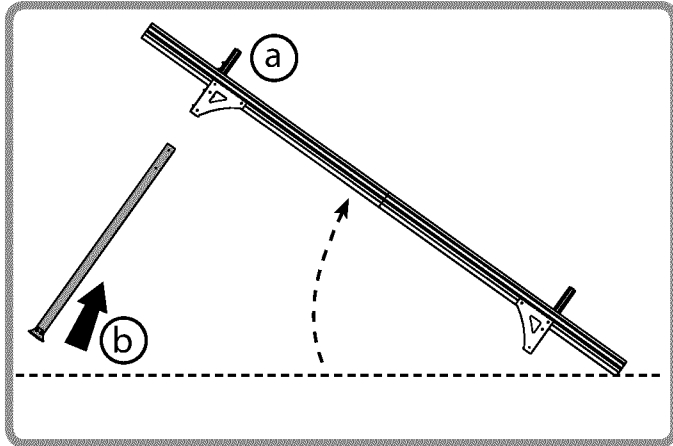
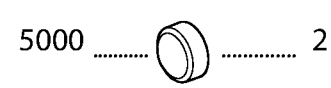
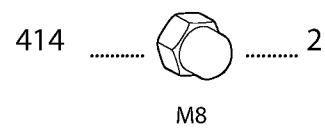
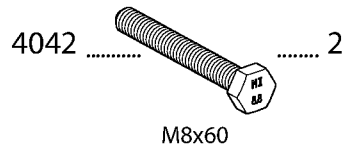
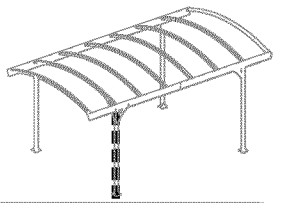
4

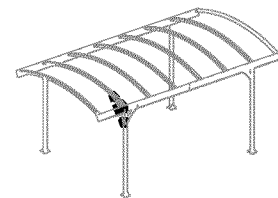


7568 		212 	4042 8 	433 16
			5000 8 	414 8

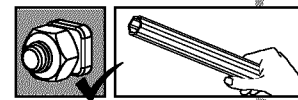
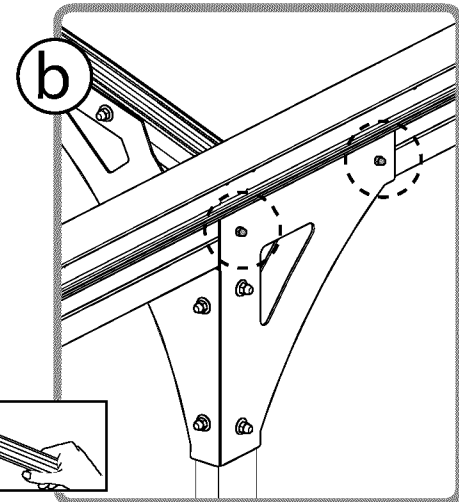
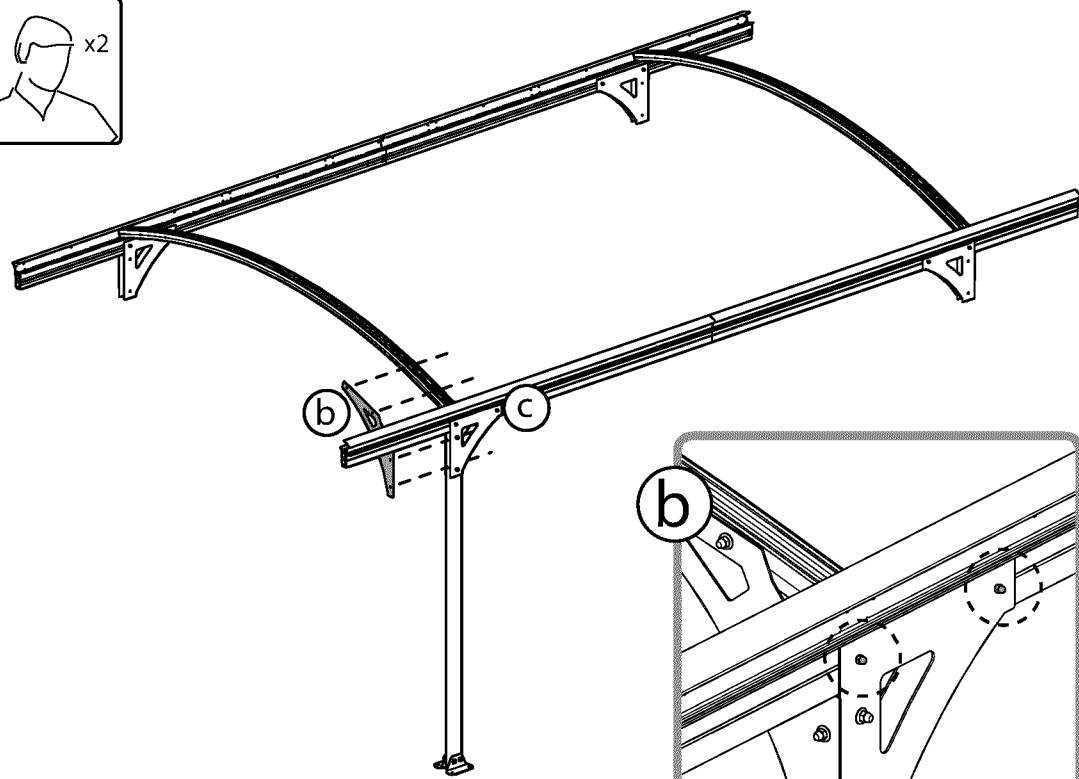
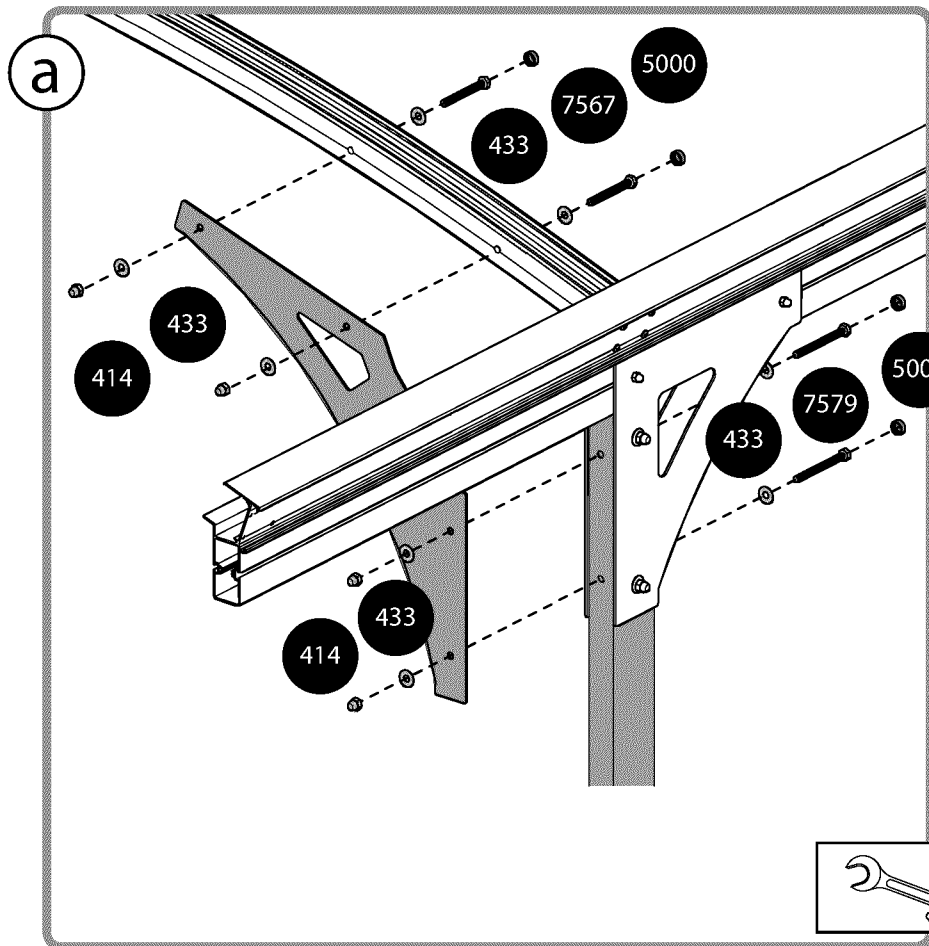
a

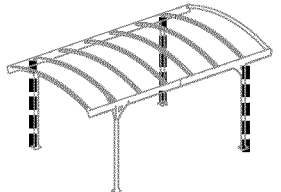
5



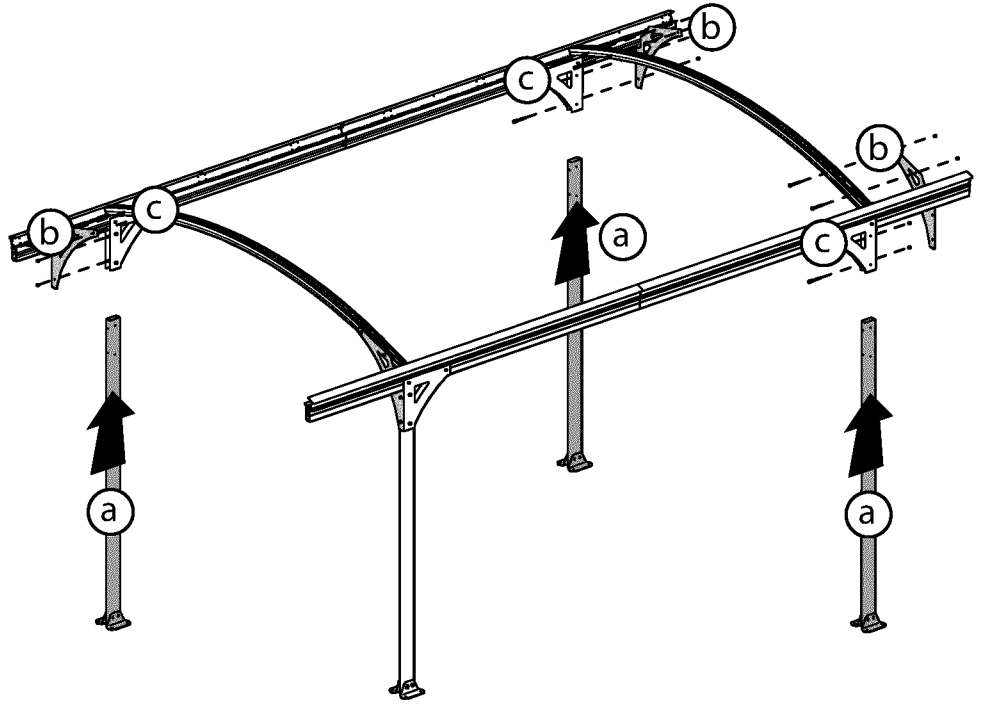
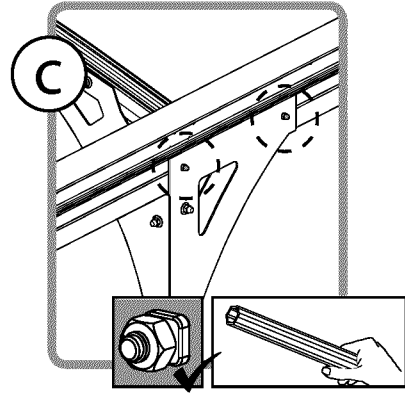
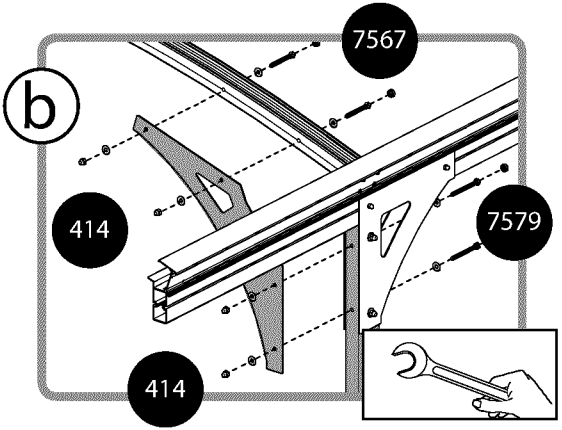
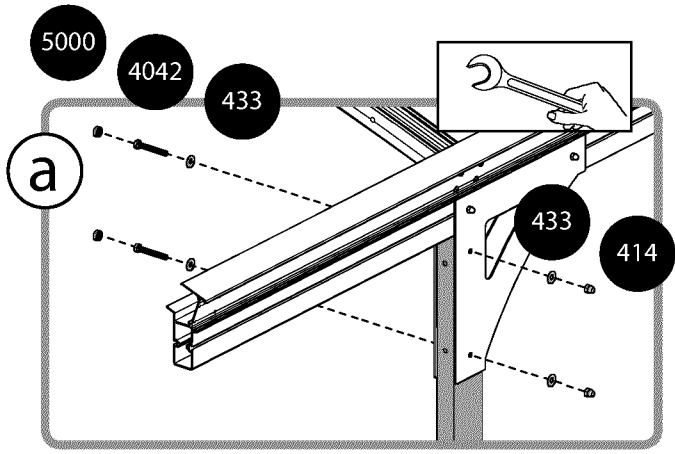
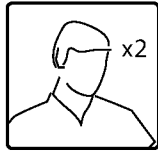


- 7574 1
- 7567 2
M8x75
- 7579 2
M8x90
- 5000 4
- 433 8
- 414 4
M8

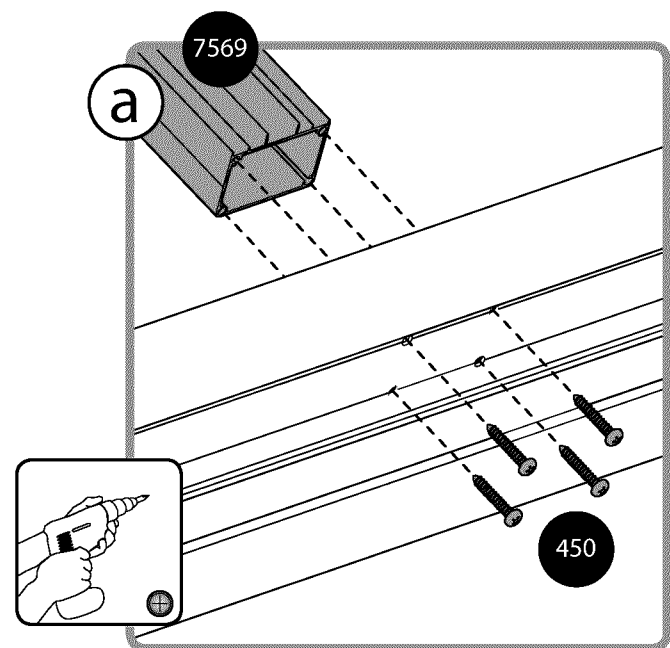
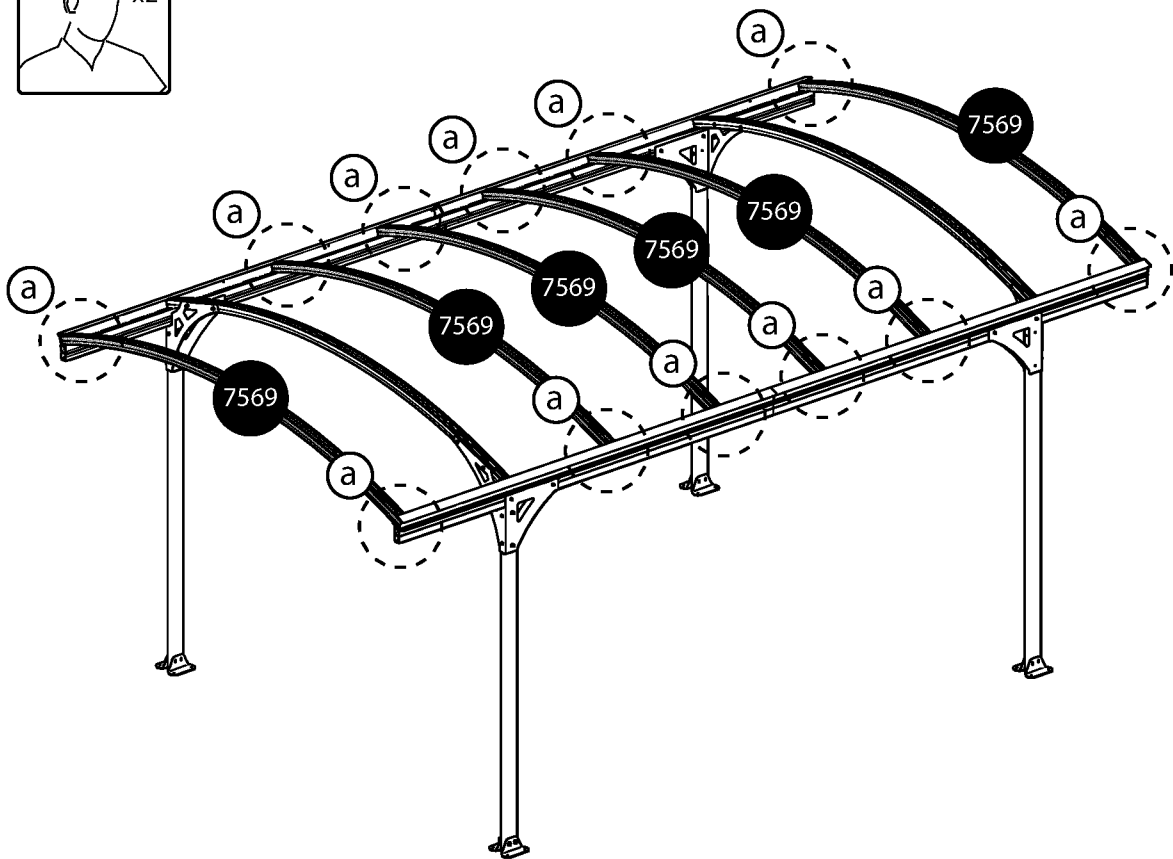
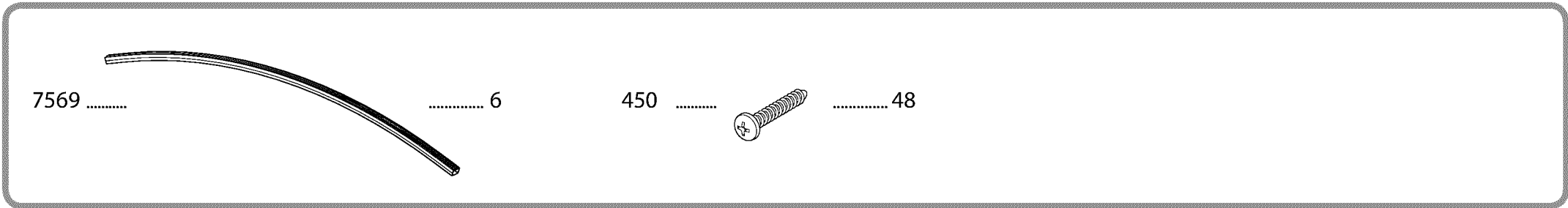
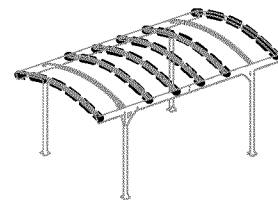




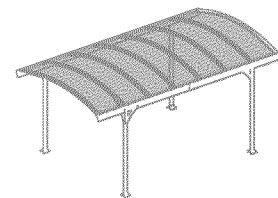
- | | | | | | | | | | | | | | | |
|------------|--|--------|------------|-------|---------|------------|-------|---------|------------|-------|---------|------------|----|---------|
| 7574 | |3 | 4042 | | 6 | 7567 | | 6 | 7579 | | 6 | 433 | |36 |
| | | | | M8x60 | | | M8x75 | | | M8x90 | | 5000 | |18 |
| | | | | | | | | | | | | 414 | |18 |
| | | | | | | | | | | | | | M8 | |



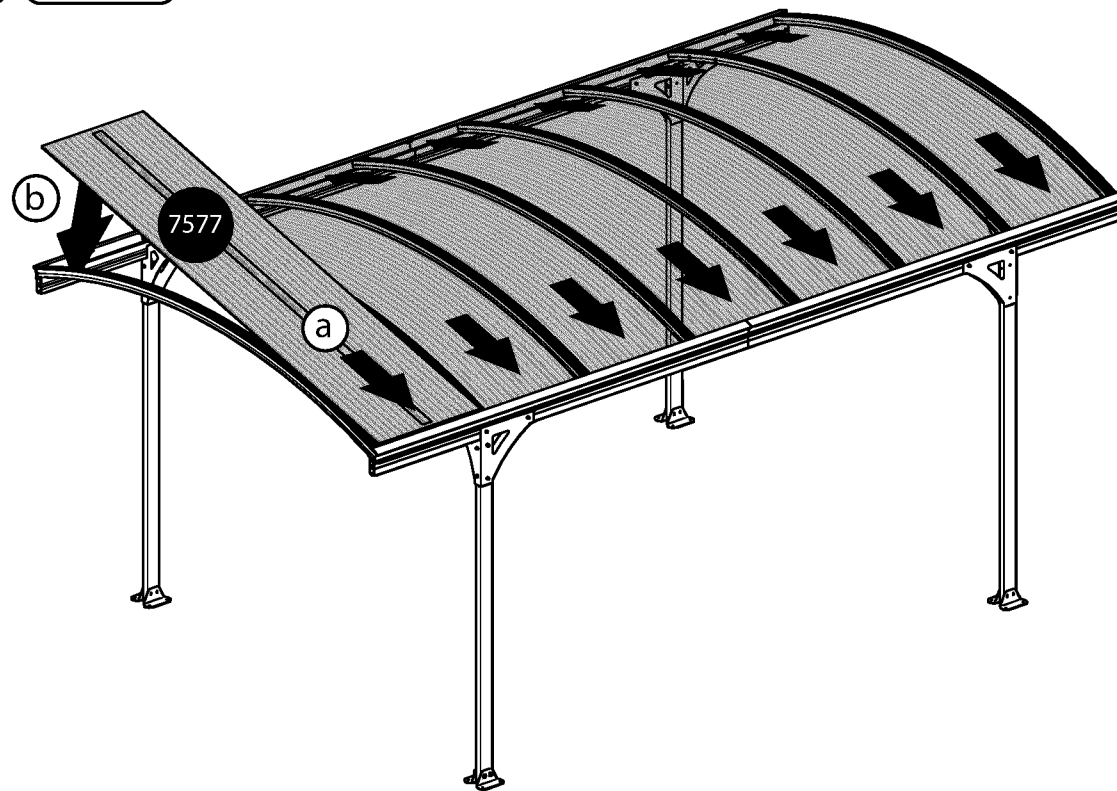
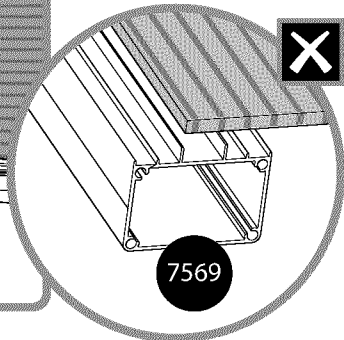
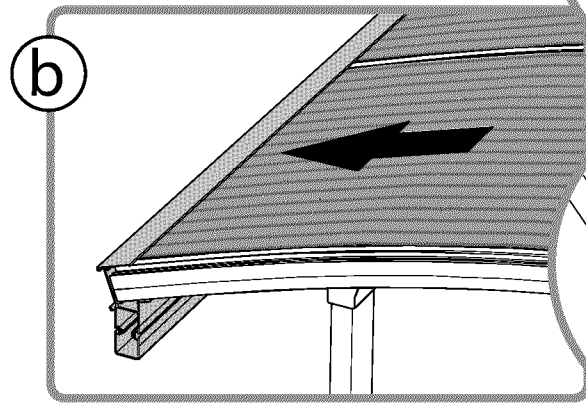
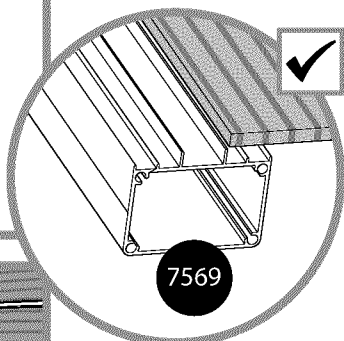
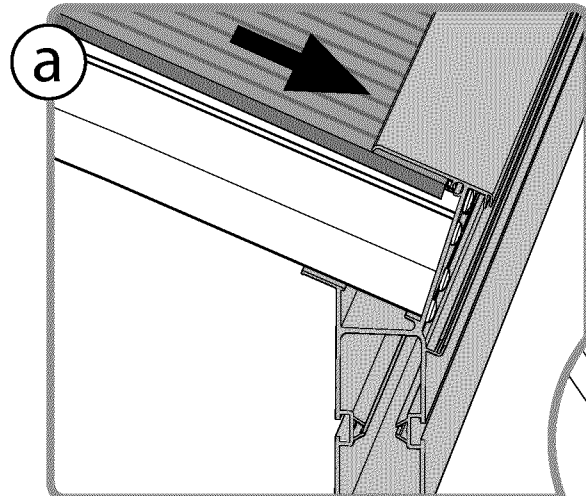
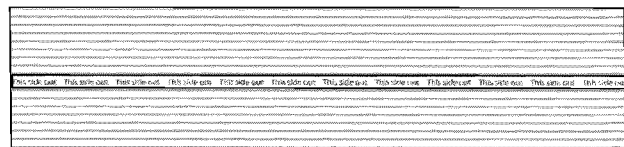
8



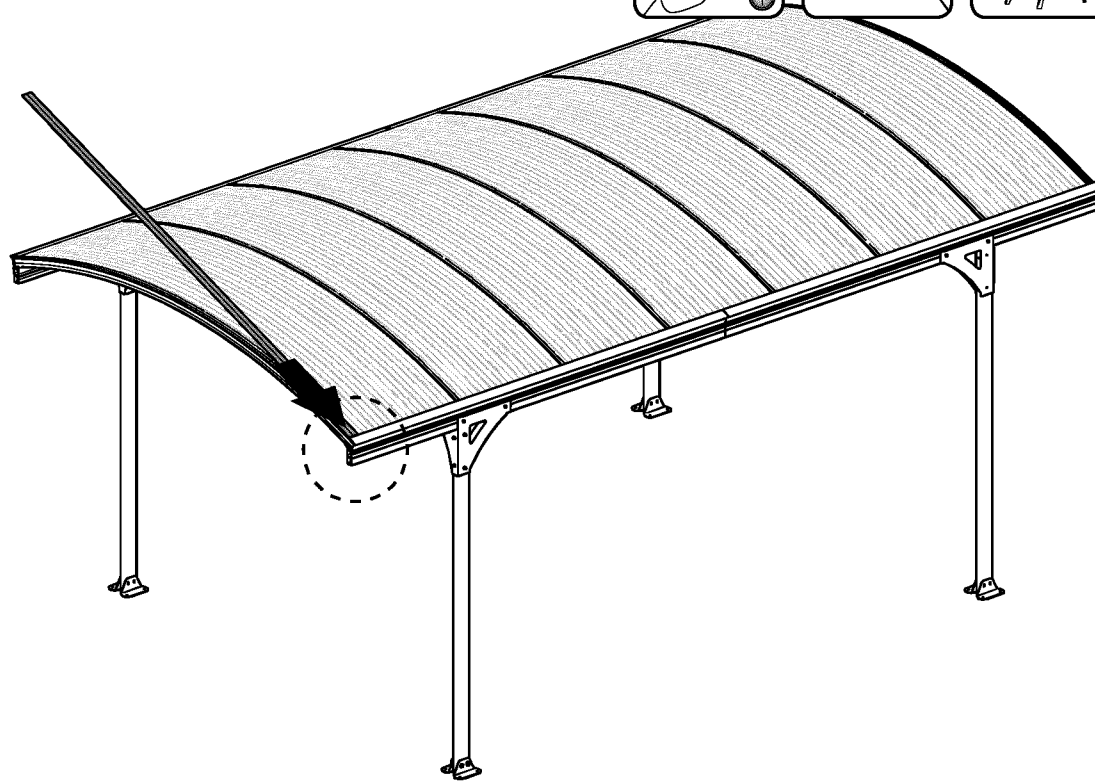
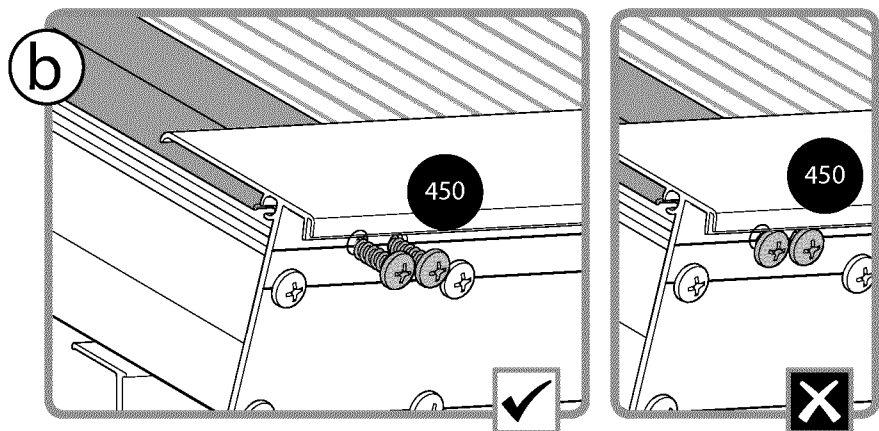
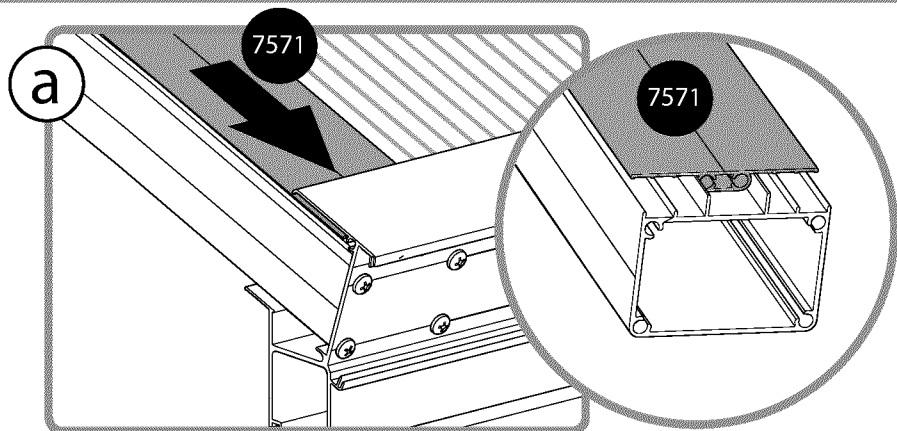
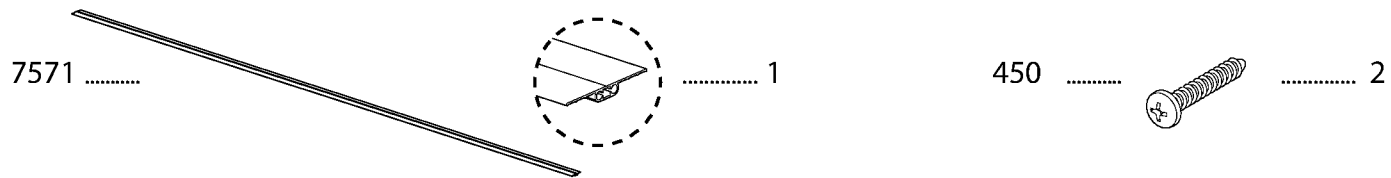
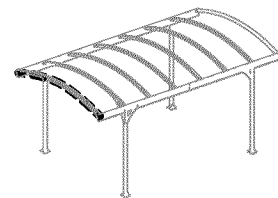
9



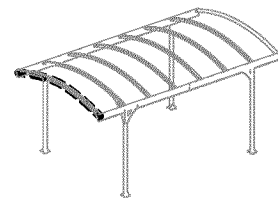
7577 7

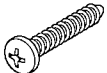


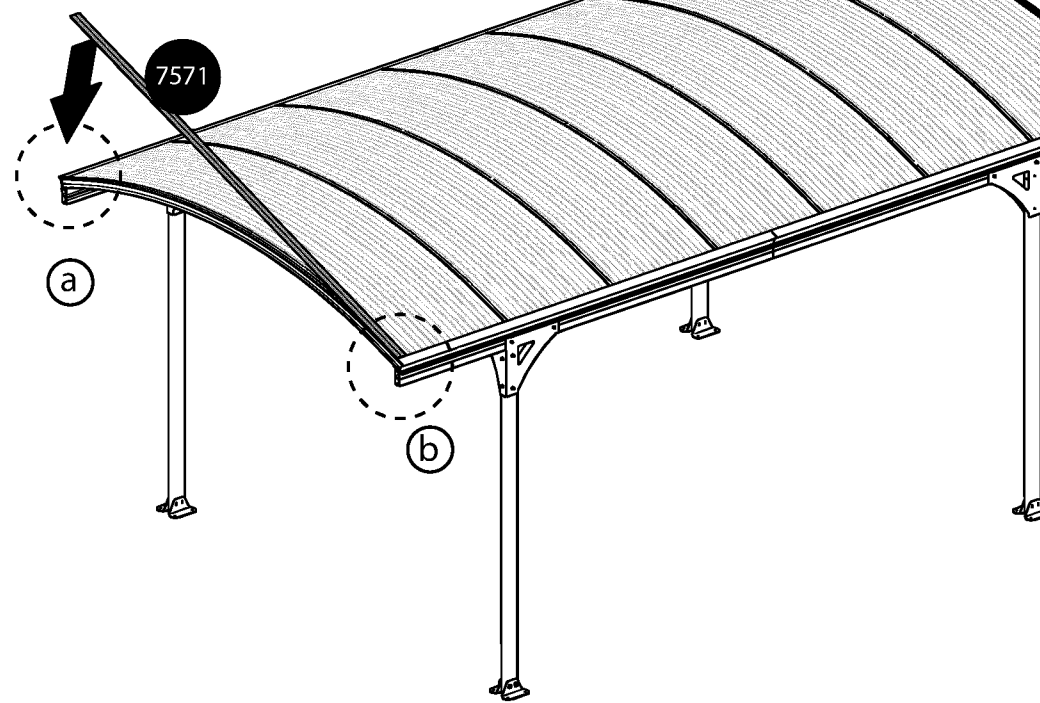
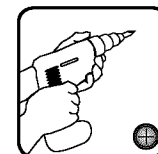
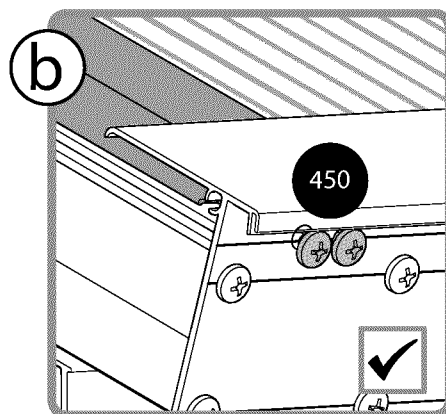
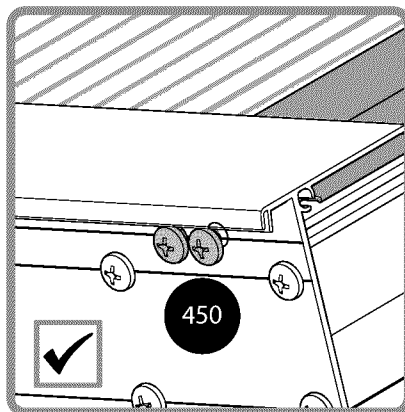
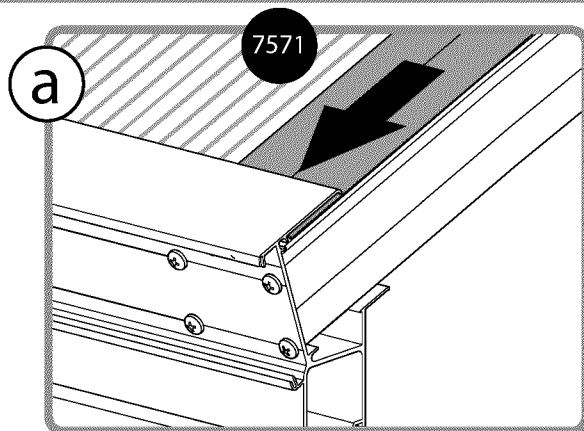
10 **i**



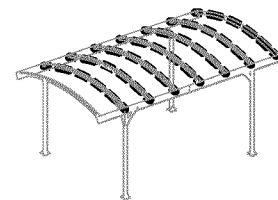
11



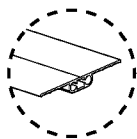
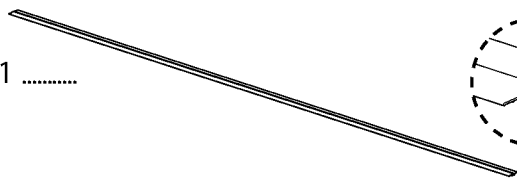
450  2



12

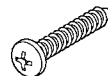


7571

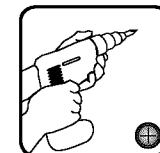
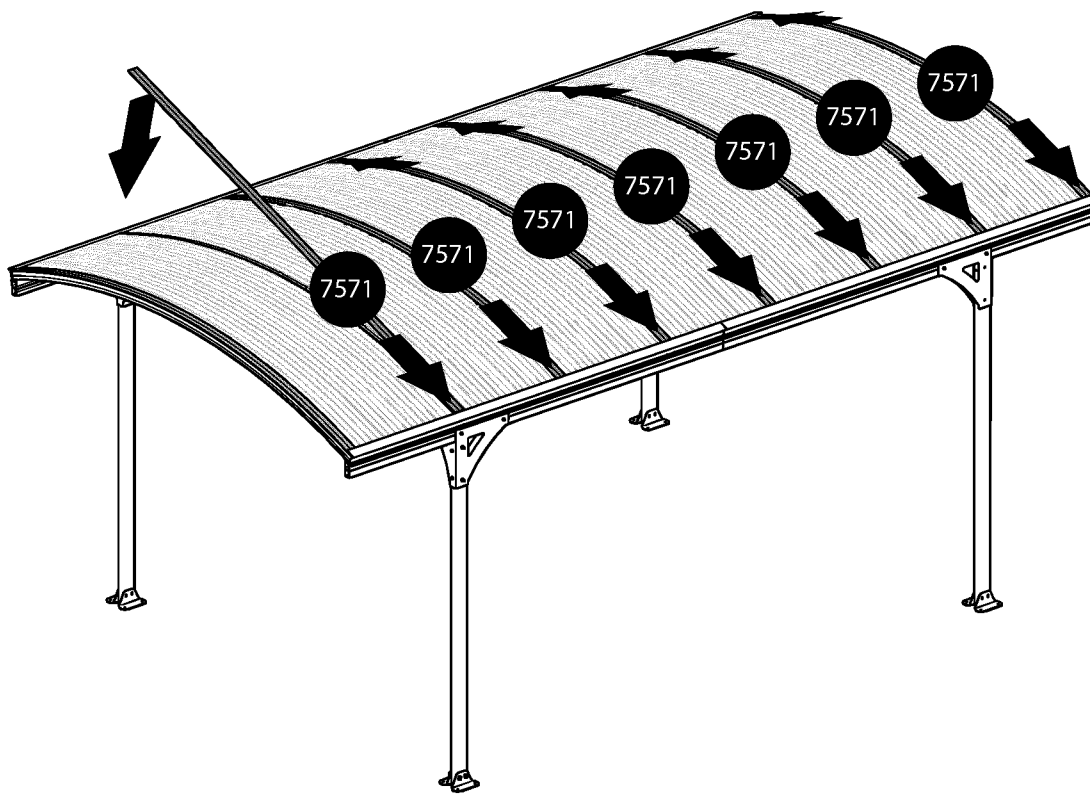


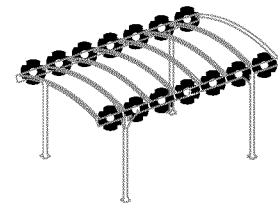
..... 7

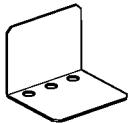
450

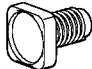


..... 28

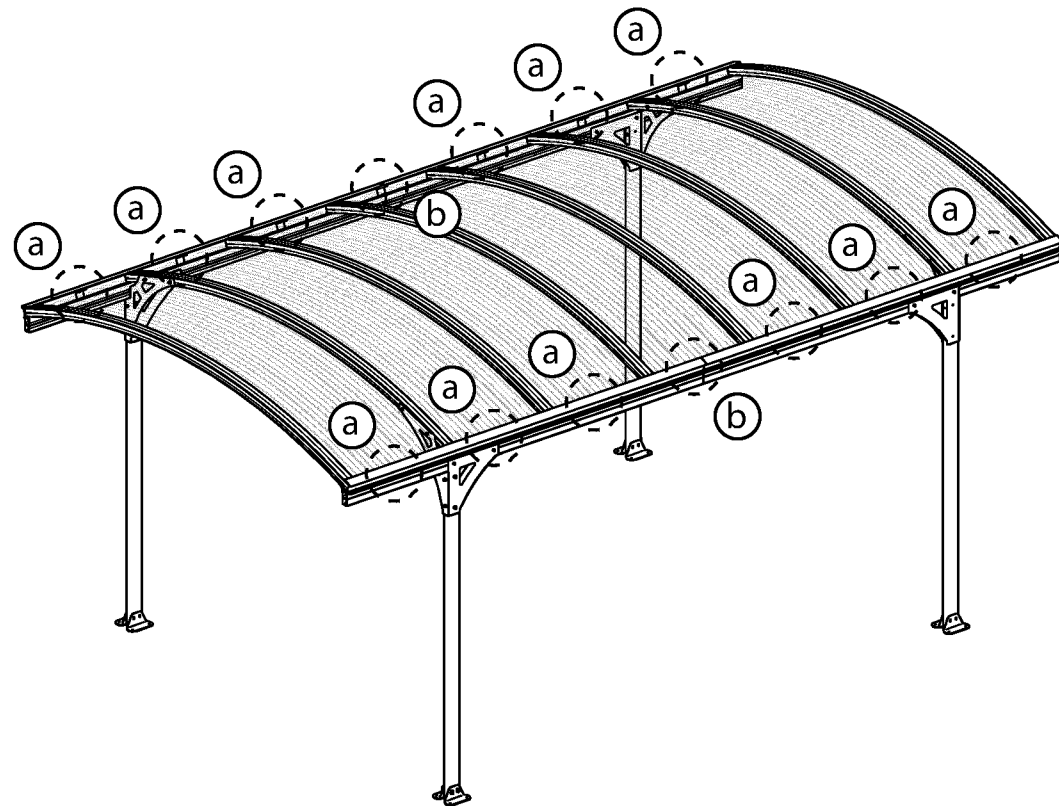
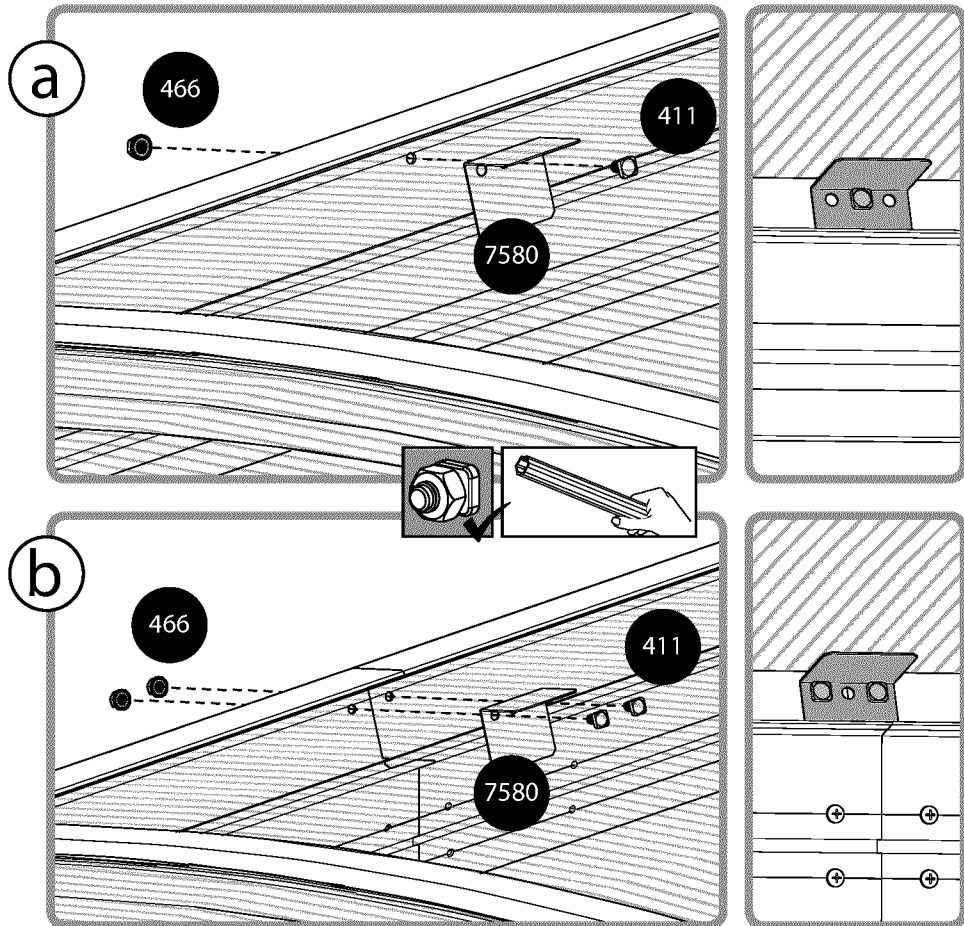


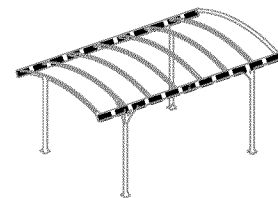


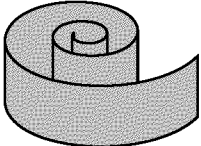
7580 14

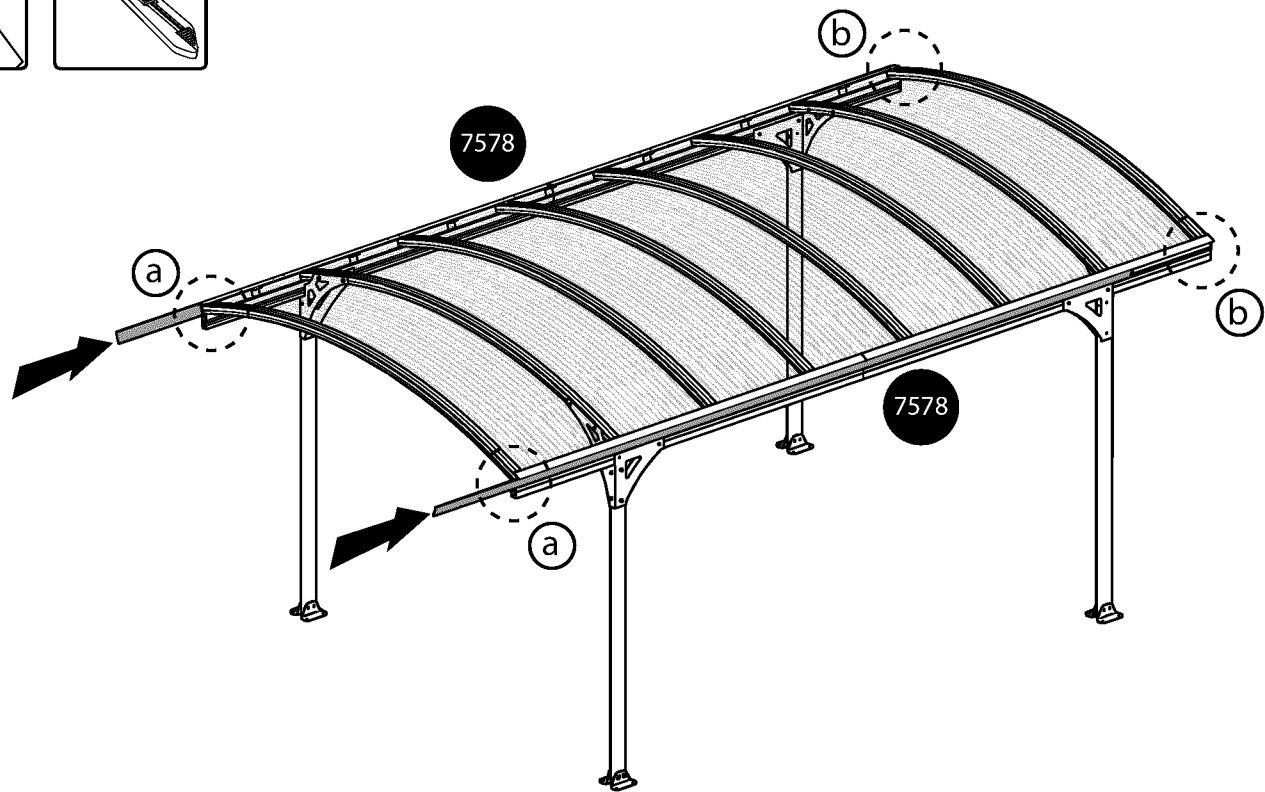
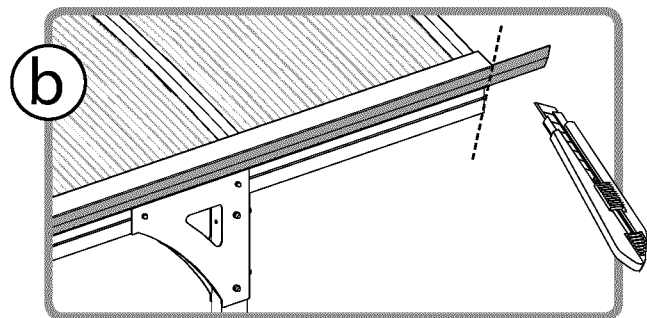
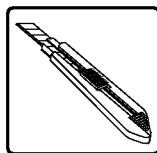
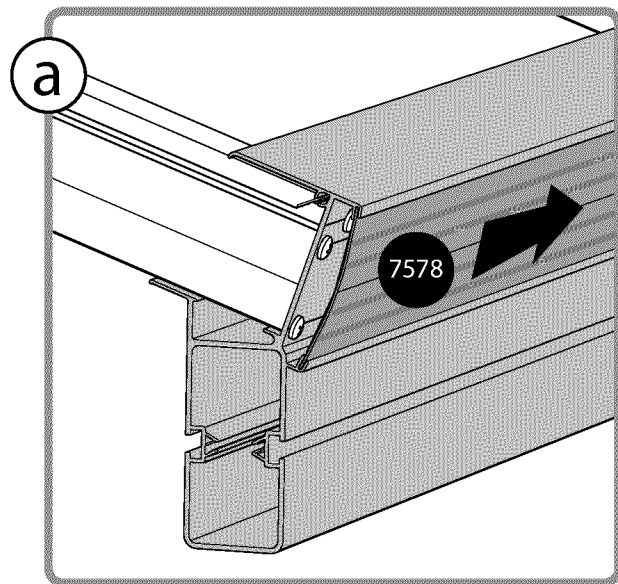
411 16

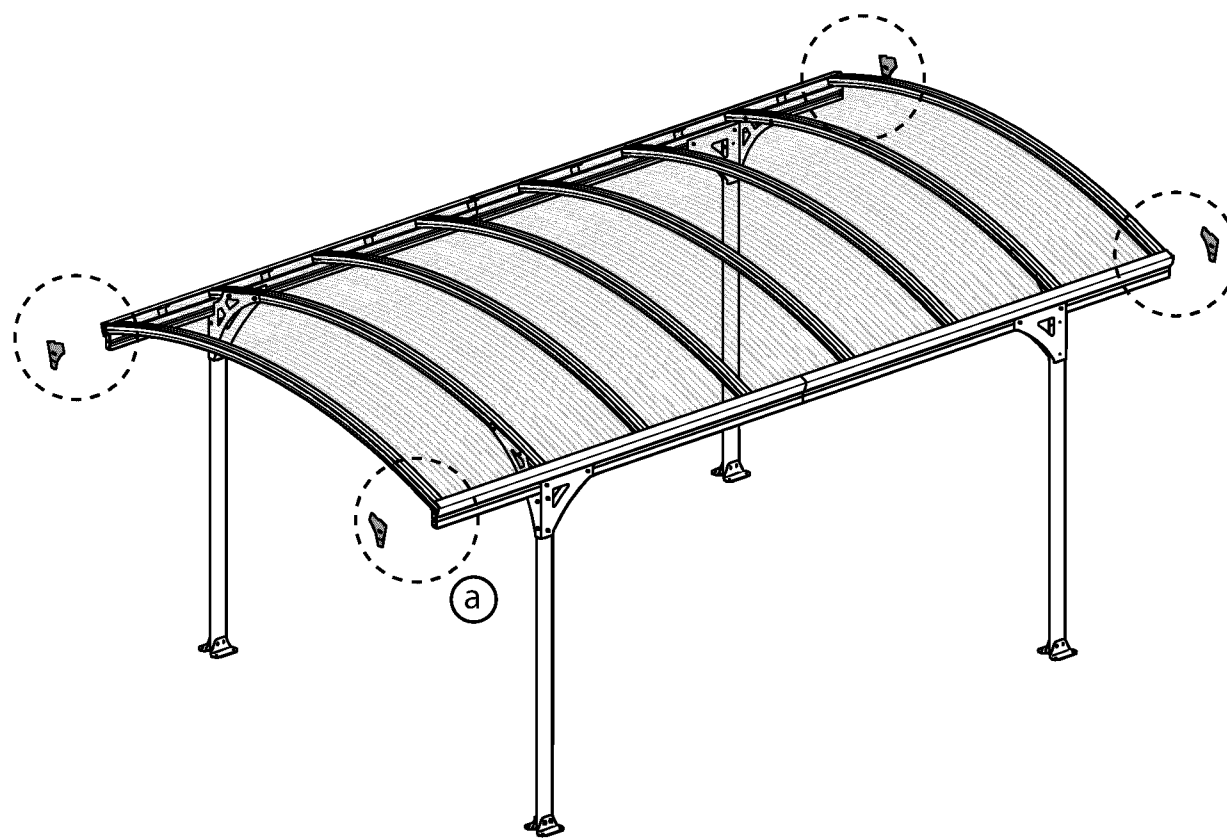
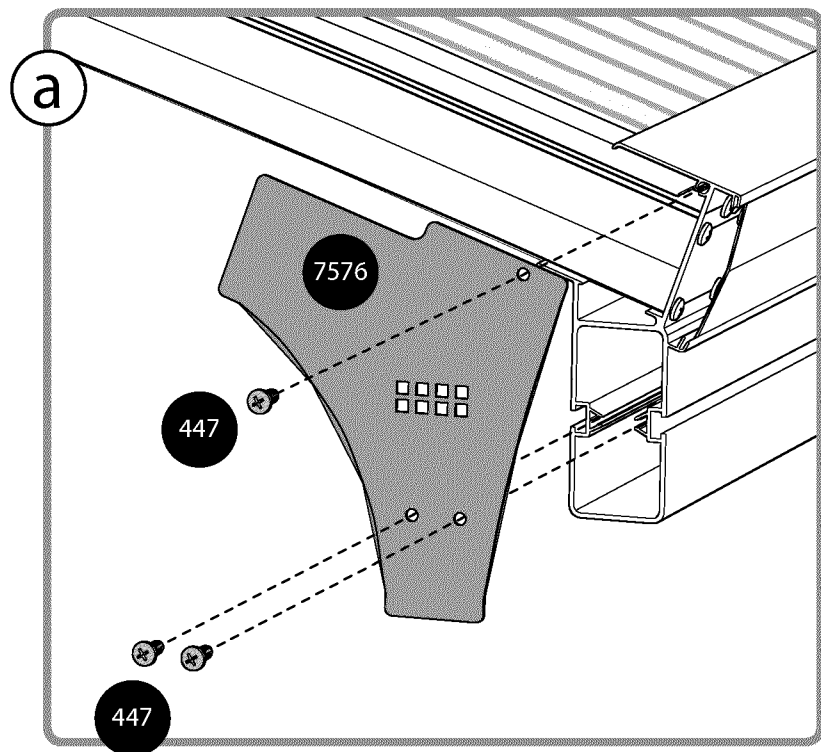
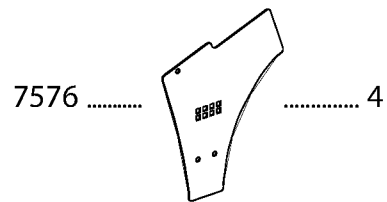
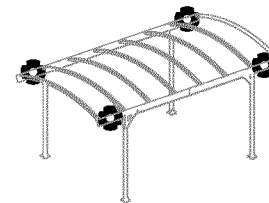
466 16



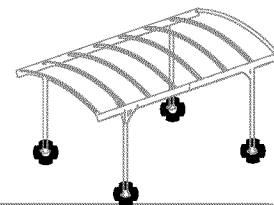


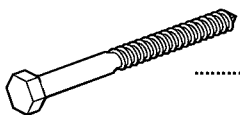
7578  2






16 **i**



4000  16

4010  16

5000  16

433  16

